

Owner's Manual

LGR 7000XLi Portable Dehumidifier

Model #108110 (F412)

LEGEND BRANDS, INC.

15180 Josh Wilson Road, Burlington, WA 98233

Phone: 800-932-3030 Fax: 360-757-7950 LegendBrandsRestoration.com

The Legend Brands® LGR 7000XLi dehumidifier reduces humidity in enclosed environments by removing water vapor from the air. The 7000XLi is rugged, durable and highly portable, making it ideal for water damage restoration, structural drying, construction, and other applications requiring temporary, high-performance dehumidification.

Patents: <http://www.LBpatents.com>

READ AND UNDERSTAND BEFORE OPERATING



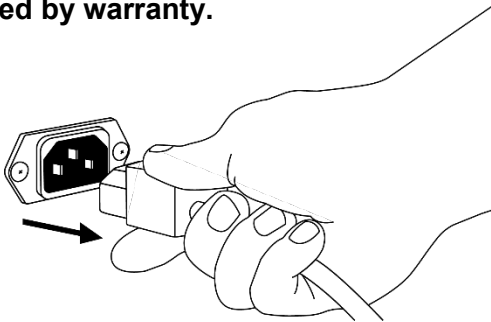
WARNING! Do not alter or modify your unit in any way. Use only replacement parts authorized by Legend Brands. Modifications or use of unapproved parts could create a hazard and will void your warranty. Contact your local distributor for assistance.

WARNING! Electric shock hazard, rotating fan, hot surface hazards. Unplug unit before opening cover for cleaning or servicing. Unit must be grounded.

CORRECT PLUG REMOVAL

Grasp IEC plug and pull straight out

IMPORTANT: Damage to IEC receptacle or dehumidifier resulting from improper removal of the power cord is not covered by warranty. The IEC power cord is a wear item and is not covered by warranty.



- Inspect the power cord before use. If cord is damaged, do not use. Always grasp the plug (not the cord) to unplug.
- Insert three-prong plug on power cord into a matching electrically grounded outlet. Do not use adapter. Never cut off third prong. Do not use an extension cord.
- The unit must be operated on a 120V/60Hz circuit protected by a Ground Fault Circuit Interrupter (GFCI) device.
- Keep motor and wiring dry.
- Do not attempt to repair the unit. For Authorized Service Centers, contact Legend Brands.

NOTICE: Do not use in environments where corrosive chemicals are present, such as chlorine.

INTRODUCTION

LGR (low-grain refrigerant) dehumidifiers utilize an internal pre-cooling system to boost water removal efficiency. LGR units can continue to remove moisture in drier environments where conventional refrigerants cannot.

OPERATING YOUR DEHUMIDIFIER

Set unit upright

NOTICE: Transporting or storing the unit in a horizontal position is not recommended. When the machine is placed in a horizontal position, the oil from the compressor can flow into the refrigerant coils and reduce the ability of the dehumidifier to function and possibly damage the unit. If the unit has been placed in a horizontal position, set it upright and let it stand for at least 30 minutes before turning it on.

Positioning a Dehumidifier

For best results, operate your dehumidifiers in an enclosed area. Close all doors and windows that open to the outside to maximize the unit's water

FIG. A: FRONT

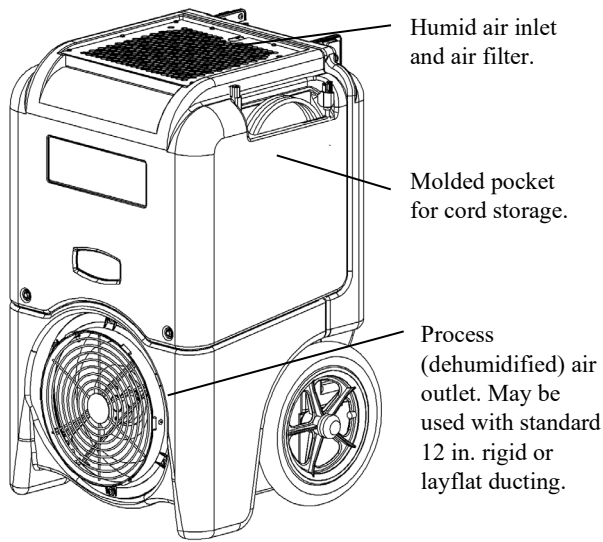


FIG. B: BACK

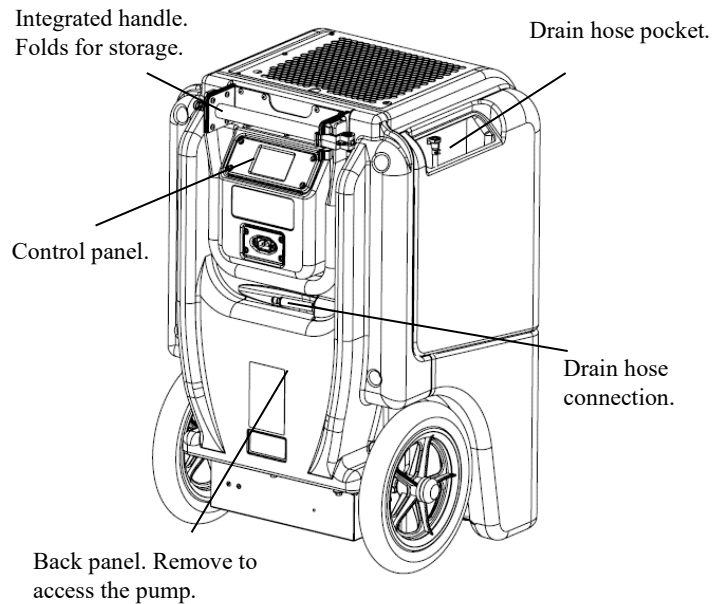
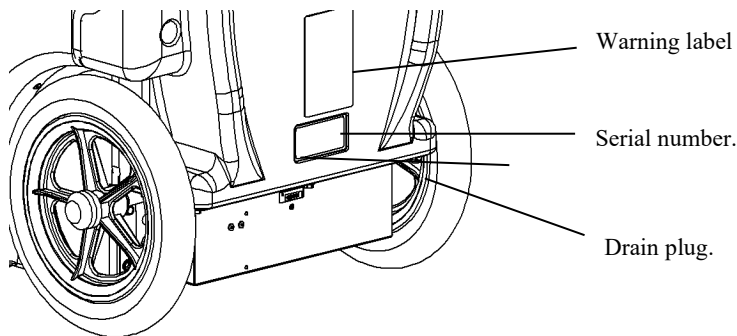


FIG. C: LOWER BACK PANEL



removal efficiency. Place your dehumidifier away from obstructions and keep it away from anything that could block airflow into and out of the unit. For more information, contact your Legend Brands distributor.

Set up drain hose

This unit automatically pumps out water on a regular basis. The condensate pump connects to a plastic drainage hose that is located in the pocket on the side of the unit. This hose is equipped with a quick-connect fitting for quick attachment to the provided drain hose. Unwrap the entire hose and place the unattached end in a sink, drain, bucket or outdoors – anywhere that water can drain out safely. If you use a bucket or other container for water collection, check it regularly to prevent overflows.

NOTICE: Uncoil and straighten the entire drain hose. Do not leave any part of the hose coiled on the unit and do not place the end of the hose higher than 20 ft. (6 m) above the bottom of the unit. Also check for kinks or other obstructions that might restrict the flow of water. Obstructions may cause a water backup and result in overflows.

Plug in electrical cord

The dehumidifier should be plugged into a GFCI-protected 120 volt outlet rated for at least 15 amps. Remove the cord from its storage pocket and uncoil it. Always plug the cord firmly into the unit first, and then plug the other end into a suitable outlet.

HOW TO USE THE CONTROL PANEL


The i-Series Controller provides comprehensive dehumidifier controls and detailed real-time data about the drying environment as well as job hours, self-diagnosis messages, maintenance reminders and operating status.


For detailed information and additional instructions, please visit the i-Series Controller page at Controller.LegendBrandsRestoration.com


Home Screen Views


Unit OFF
Unit must be plugged in.

Top display bar:
Job hours, current time

Press  MENU to access settings and configuration controls

Press  PURGE to pump out condensate tank

Press  ON/OFF to turn unit on.





Unit ON
Press ON/OFF key to switch unit on.


Top display bar:
Job hours, current time


Information display:
Inlet/Outlet temp, %RH and GPP
Current GPP removal

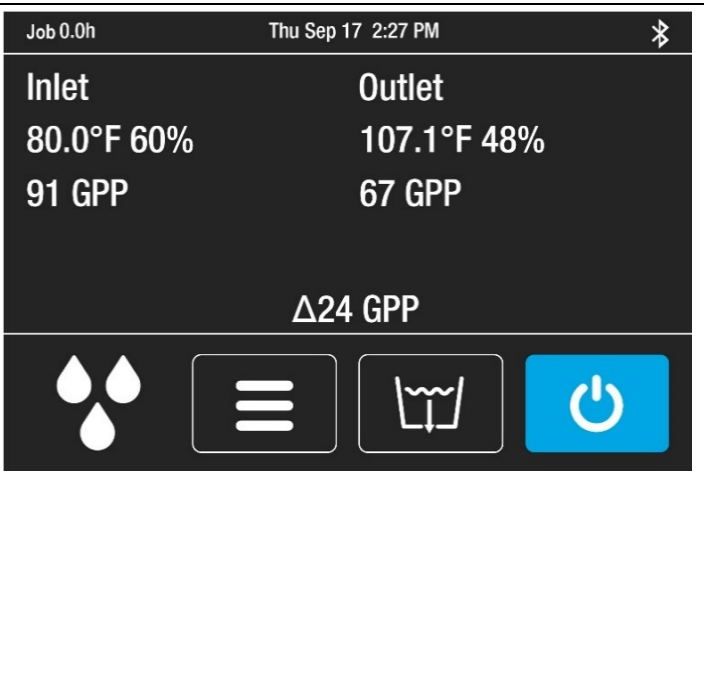
Bottom menu bar:

 Quick-Reference Inlet GPP.
1: < 60 GPP; 2: 60–90 GPP; 3: > 90 GPP

Press  MENU to access settings and configuration controls

Press  PURGE to pump out condensate tank

Press  ON/OFF to turn unit off.



For detailed control panel instructions, please visit the i-Series Controller product page at Controller.LegendBrandsRestoration.com

ERRORS AND WARNINGS

If the control system detects a problem, it will display an "Alert" symbol in the upper right corner of the screen. Press ON/OFF to view the message and OK to clear the message. NOTE: In the case of an error, the unit will not operate until the problem is resolved. Refer to the explanations and solutions shown below. If these solutions do not fix the problem, contact your local authorized service center for further assistance.

CONTROL PANEL MESSAGE	EXPLANATION AND SOLUTION
ER4 Error Defrost Thermistor Connect —or— ER4 Error Outlet Thermistor Connect	Temp sensor is open, missing, or shorted. Check that temp sensors are installed correctly on control panel. If error persists, contact service.
ER5 Error Inlet RH1 Temp/RH Sensor	Inlet Temp/RH sensor is open, missing, or shorted. Check that inlet temp/RH sensor is installed correctly on control panel and inlet shroud. If error persists, contact service.
ER5 Error Inlet RH1 Temp/RH Sensor	Inlet Temp/RH sensor is open, missing, or shorted. Check that inlet temp/RH sensor is installed correctly on control panel and inlet shroud. If error persists, contact service.
ER6 Error Current Sensor Failure	Current sensor failure. If error persists, contact service.
ER9 Error Pump Blocked	Check for obstructions in drain hose. Check the pump.
W1 Low BATTERY	Replace coin cell battery (3V, CR2032) on control panel.
W2 BLE Error W3 Flash Reset W4 WDT Reset	Cycle power to dehumidifier. If warning persists, contact service.

AT THE END OF THE JOB

To reduce the possibility of drips when moving the unit, follow these additional steps to ensure that all water is removed from the unit.

NOTICE: To ensure all water is removed from the dehumidifier, the unit will complete the defrost cycle even if the unit is turned off. If the unit is unplugged during the defrost cycle, excessive water may accumulate in the unit and may drip out when you move the unit.

NOTICE: To ensure the condensate tank empties completely while purging, make sure the unit is placed upright on a horizontal surface.

1. Do not turn unit off or move it until it has returned to normal operating mode.

2. Gently rock the machine to ensure any water remaining on interior surfaces falls into the sump area.

3. Press the PURGE key. When the purge cycle is complete, turn the unit off.

4. Remove the external drain hose, drain it carefully, coil it and secure it with one of the straps provided on the side of the unit.

TRANSPORTATION AND STORAGE

IMPORTANT: Before moving, transporting or storing, purge unit and stow hose and power cord as described in the "At the End of the Job" section above.

NOTICE: Handle the unit carefully. Do not drop, throw or place the unit where it could fall. Rough treatment can

damage the dehumidifier and may create a hazardous condition or void the warranty.

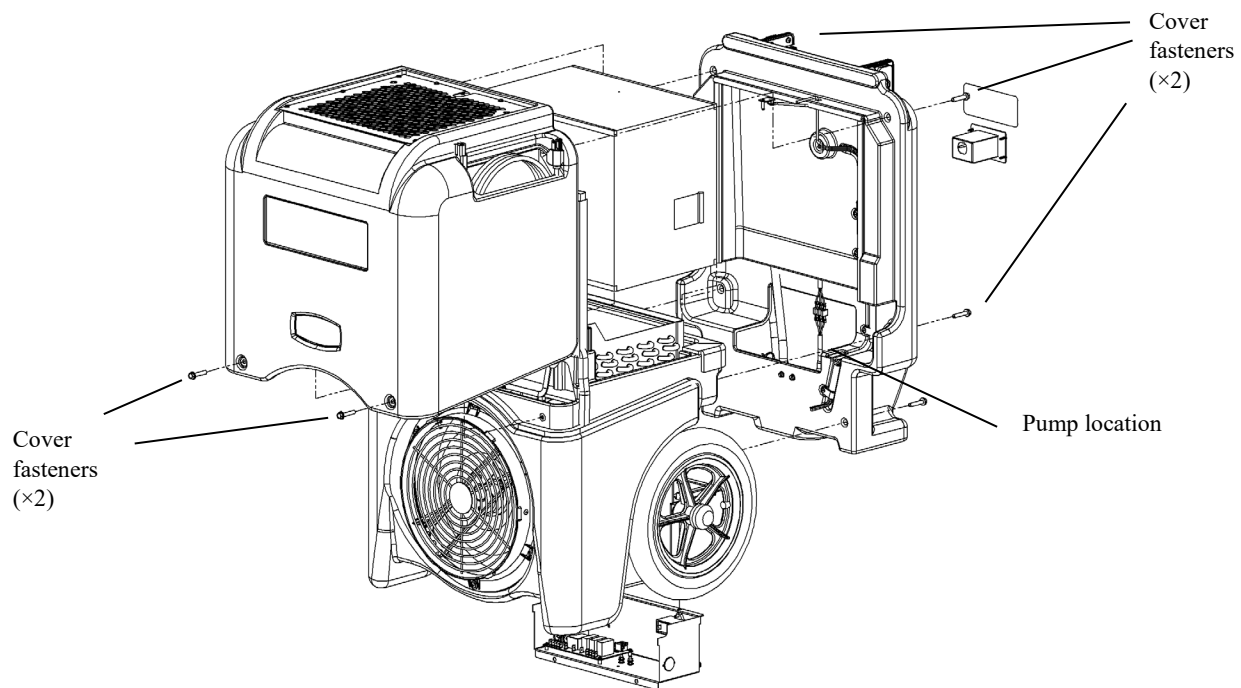
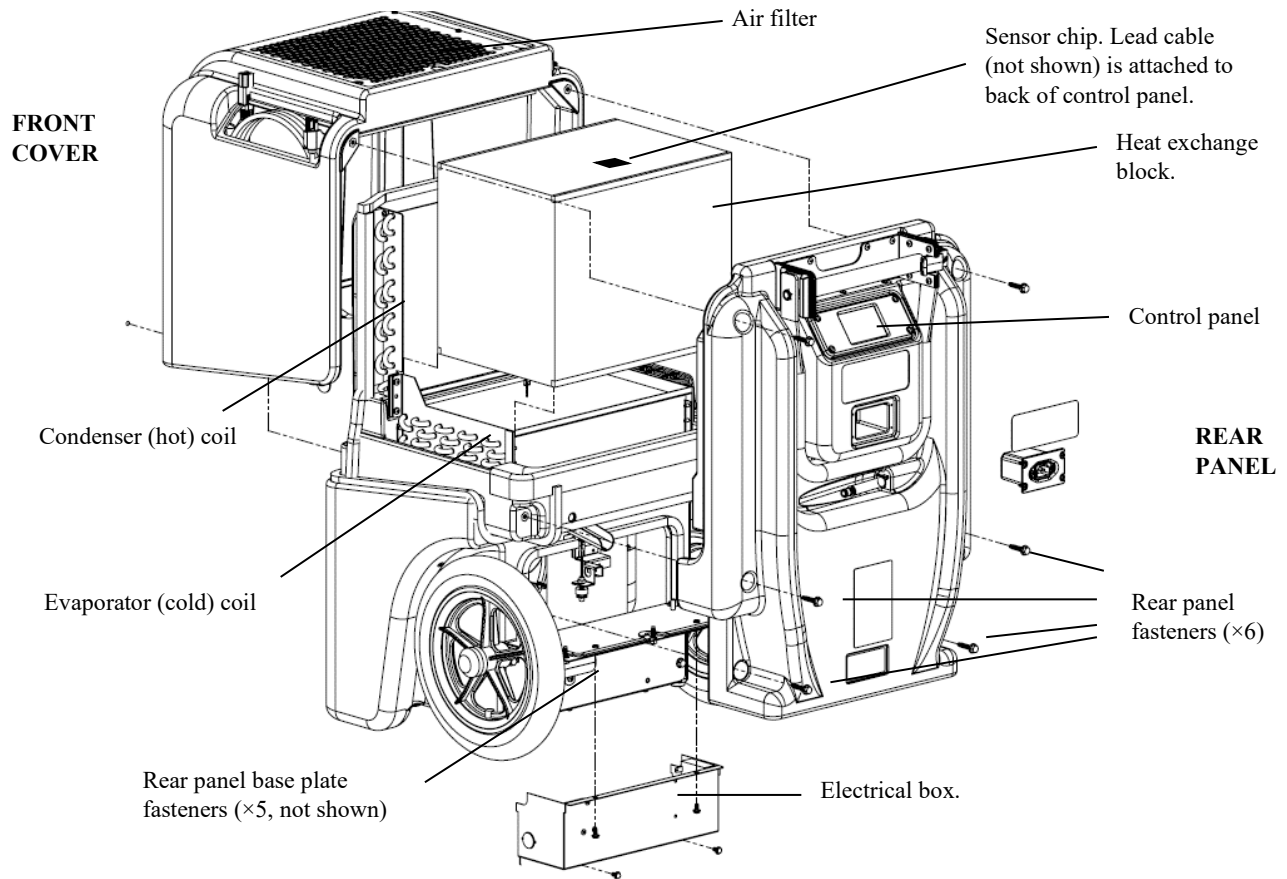
- Do not expose the control panel to moisture, snow or rain.
- Store and transport securely to avoid any damaging impact to internal parts.
- Secure during transport to prevent sliding and possible injury to vehicle occupants.
- Do not transport or store the unit on its front, sides or back. This will help to prevent any remaining moisture from escaping from the unit or flowing into areas outside the sump.

Special tip for transporting on stairs:

Before transporting unit on stairs, follow these additional steps to ensure that all water is removed from the unit:

1. Turn the unit off after a defrost cycle has been completed. Gently rock the upright machine on its wheels to ensure any water remaining on interior surfaces falls into the sump area.
2. Press the PURGE key. When the purge cycle is complete, turn the unit off.
3. Remove the external drain hose, drain it carefully, and return it to the pocket provided on the side of the unit.
- 4. IMPORTANT: Remove power cord from base of unit, coil it neatly, and place it in the cord storage pocket. This will prevent the cord from catching on the stairs and possibly damaging the cord.**

FIG. D: PARTS DIAGRAM



MAINTENANCE SCHEDULE

WARNING! ELECTRIC SHOCK HAZARD. Unplug the dehumidifier before performing any maintenance.

WARNING: Risk of dust and contaminants exposure. Use of respirator mask and gloves is recommended. If unit has been exposed to potentially dangerous contaminants, clean thoroughly and sanitize before reuse.

NOTICE: The unit is fitted with sensitive electronic sensors. Protect the sensors and their lead wires from damage and do not expose them to water or cleaning solution.

The following tools and supplies are needed to complete the maintenance procedures described in this manual:

- Philips and flat blade screwdrivers
- Needle-nose pliers
- 9/16 in. wrench
- 3/8 in. nut driver or socket
- 5/16 in. socket (to remove pump)
- 6 in. socket extension
- Ratchet wrench
- Cleaning cloths
- HEPA vacuum cleaner with soft brush nozzle and crevice nozzle.

Recommended

Cordless drill, small knife, small-jaw pliers, coil cleaning solution, Rotomolded housing cleaning solution

Before each use

Inspect the electrical cord for damage. Look for fraying, cuts, etc. Replace the cord if you find any damage.

Inspect filter. Replace if accumulation of dust and debris is visible.

NOTICE: Replace used filters only with a new Legend Brands 4-PRO filter part no. #100250 (F581) (24-pack). Other filter types do not provide adequate filtration or airflow. Each filter is individually wrapped to protect filtration effectiveness. Remove the wrapper before installing the filter into the dehumidifier.

Monthly

Inspect coils and heat exchange block. Clean when dust accumulation is visible. In normal use, dust can accumulate and can restrict airflow, reducing performance and causing the unit to overheat. See “Disassembling the unit to clean coils and the heat exchange block,” below.

To maintain appearance, wipe interior and exterior surfaces with a damp cloth. For deep cleaning and a lasting, protective shine, use a similar automotive interior treatment.

As Needed

Clean Pump Check Valve and Basin. This requires removal of the back cover.

Clean coils and heat exchange block. Inspect the horizontal evaporator (cold) coil with the back cover removed. If excessive dust and debris is present, vacuum thoroughly and/or clean with alkaline (non-acidic) coil cleaner.

TROUBLESHOOTING

FAULT	CAUSE	SOLUTION
Water drips out when moving unit	Unit was unplugged before purging was complete.	Purge unit before moving. See “At the End of the Job.”
Unit does not operate	Unit not switched on. No power to machine.	Switch unit on. Plug in unit; check power cord connection at wall outlet and at base of unit.
Unit operating, but room not dry	Not enough time to dry. Poor air movement in room. Excessive moist air infiltration.	Make sure “Humidistat” is OFF. Allow more time for drying. Increase air movement with air movers. Seal off area to reduce infiltration.
Unit collects too little water	Room air is dry. Room temperature is too low. Air filter is full. Heat exchange block and/or coils are clogged.	Make sure “Humidistat” is OFF. Confirm humidity level with hygrometer. Increase room temperature. Check filter. Clean or replace as necessary. Check heat exchange block and coils. Clean as necessary.
<i>If the problem you are experiencing is not listed here, contact your Legend Brands location for further assistance.</i>		

SPECIFICATIONS

Model	LGR 7000XLi (#108110)
Water removal AHAM (80°F/60% RH)	130 pts. 61.5 liters / day
Water removal low grain (80°F/20% RH)	17 pts. 8 liters / day
Process air (max.)	325 CFM* ductable floor-level outlet.
Dimensions (H x D x W)	33.5 x 20 x 20 in. 85 x 51 x 51 cm
Weight	107 lbs. 49 kg
Amps	8.3A
Volts	115V
Frequency	60Hz
Noise level (avg.)	62 dB
Air filter	Part no. #100250 (F581) (24 pack)
Drain hose	40 ft. 12.2 m
Power cord	25 ft. 7.6 m
Construction	Rotomolded shell
Safety	ETL certified CSA 22.2 no. 92
Specifications are subject to change without notice. Some values may be approximate.	
*Fan speed varies automatically for optimized performance.	

Warranty information is available at LegendBrandsRestoration.com.

Be sure to visit Warranty.LegendBrandsRestoration.com and register your purchase. Your registration will help us provide you with updated product information as needed.

For proper disposal, this unit should be taken to a recycler licensed to process refrigeration equipment.



WARNING: This product may expose you to chemicals, including lead and phthalates, known to the State of California to cause cancer, birth defects, or other reproductive harm. For more information, go to P65Warnings.ca.gov

Manual para el usuario

Deshumidificador portátil LGR 7000XLi

Modelo 108110 (F412)

LEGEND BRANDS, INC.

15180 Josh Wilson Road, Burlington, WA 98233

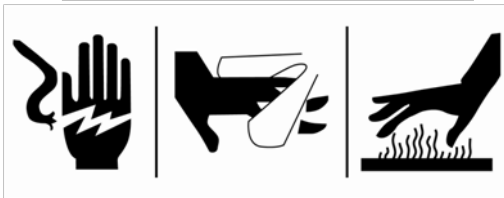
Teléfono: 800-932-3030 Fax: 360-757-7950 LegendBrandsRestoration.com

El deshumidificador LGR 7000XLi de Legend Brands® reduce la humedad en ambientes cerrados eliminando el vapor de agua que se encuentra en el aire. El modelo 7000XLi es resistente, duradero y fácil de transportar, características que lo convierten en un elemento ideal para la reparación de daños causados por el agua, el secado de estructuras, la construcción y otros usos para los que se necesita temporalmente un deshumidificador de alto rendimiento.

Patentes: <http://www.LBpatents.com>

CONSERVE ESTAS INSTRUCCIONES

WARNING



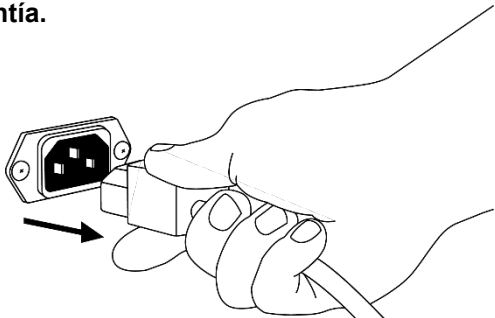
IMPORTANTES INSTRUCCIONES DE SEGURIDAD

ADVERTENCIA! Peligro de sufrir una descarga eléctrica, lastimarse con el ventilador rotatorio y

ADECUADO RETIRO DEL ENCHUFE

Tome el enchufe IEC y tire recto

IMPORTANTE: Cualquier daño en el receptáculo IEC o en el deshumidificador consecuencia de un inadecuado retiro del cable eléctrico no será cubierto por la garantía. El cable eléctrico IEC es un elemento con desgaste y no está cubierto por la garantía.



quemarse con una superficie caliente. **Desenchufe la unidad antes de abrir la tapa para limpiarla o hacerle mantenimiento. La unidad debe tener descarga a tierra.**

- Controle el cable de alimentación antes de usarlo. Si está dañado, no lo use. Para desenchufar la unidad, tire siempre del enchufe (nunca del cable).
- Coloque el enchufe de tres clavijas que está en el extremo del cable de alimentación en un tomacorriente con descarga a tierra adecuado. No use adaptadores. Nunca corte la tercera clavija. No use cables prolongadores.
- La unidad debe utilizarse en un circuito eléctrico de 120 V/60 Hz, protegido por un interruptor del circuito de fallos de conexión a tierra (GFCI, por sus siglas en inglés).
- No utilice el aparato en agua estancada. Mantenga el motor y los cables secos.

AVISO: No lo utilice en entornos en los que haya sustancias químicas corrosivas, como el cloro.

INTRODUCCIÓN

Los deshumidificadores refrigerantes de grano bajo (LGR, por sus siglas en inglés), como el LGR 145, utilizan un sistema de preenfriamiento interno para aumentar la eficiencia de la eliminación de agua. Las unidades LGR tienen la capacidad de eliminar la humedad en ambientes más secos en donde los refrigerantes convencionales no pueden.

IDENTIFICACIÓN DE LAS PARTES

IMAGEN A : FRENTE

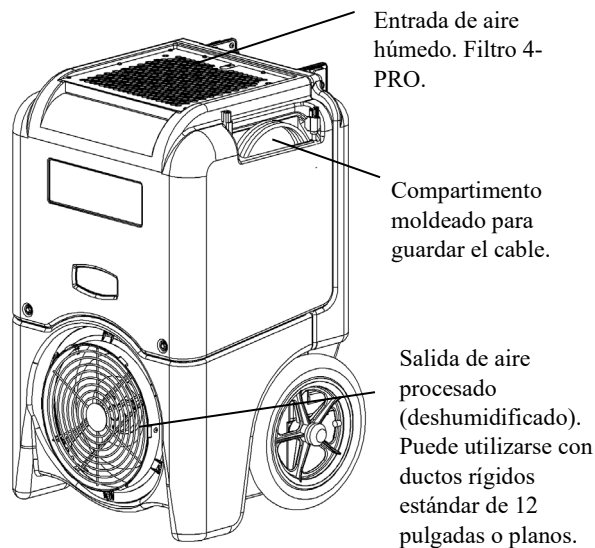


IMAGEN B : ATRÁS

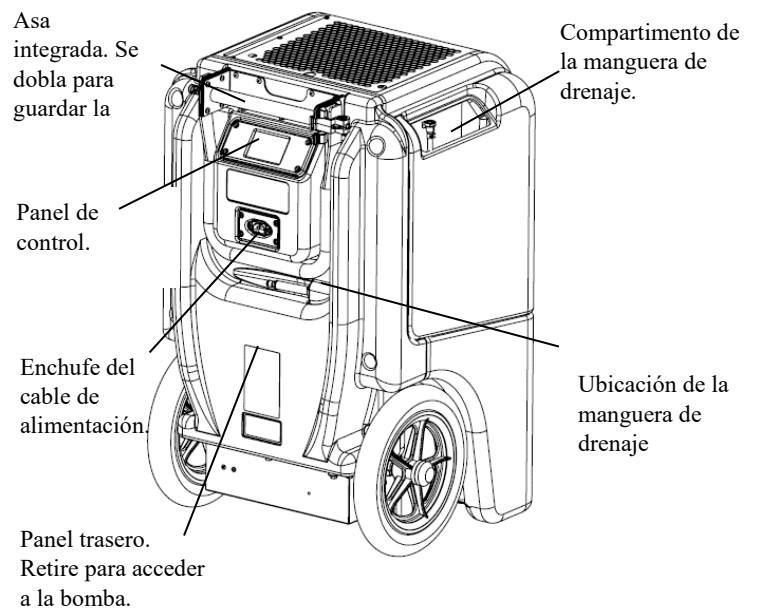
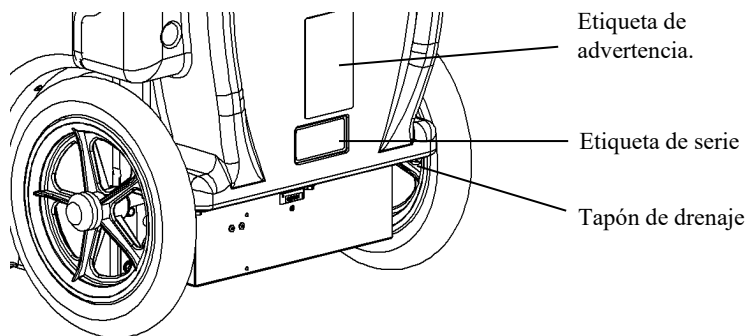


IMAGEN C: PANEL POSTERIOR INFERIOR



EL FUNCIONAMIENTO DE SU DESHUMIDIFICADOR

Coloque la unidad en posición vertical
AVISO: No se recomienda transportar o almacenar la unidad en posición horizontal. Si se encuentra en posición horizontal, el aceite del compresor puede fluir hacia las bobinas del refrigerante y reducir la capacidad del deshumidificador, e incluso dañar la unidad. Si la unidad se ha colocado en posición horizontal, cámbiela para que quede en posición vertical y déjela reposar durante mínimo 30 minutos antes de encenderla.

Colocación del deshumidificador

Para obtener los mejores resultados, utilice los deshumidificadores en un área cerrada. Cierre todas las puertas y ventanas que se abren al exterior para aumentar al máximo la eficiencia de eliminación de agua de la unidad. Coloque el deshumidificador sin obstrucciones, lejos de cualquier objeto que pueda bloquear el flujo de aire que entra y sale de la unidad. Para obtener más información sobre cómo crear un ambiente óptimo de secado, comuníquese con su sucursal de Legend Brands.

Extienda el mango

Desbloquee el mango girando la palanca roja de bloqueo hacia afuera y luego levante el mango hasta

que esté en su lugar. Gire la palanca roja hasta la posición de bloqueo para que el mango quede fijo en la posición de funcionamiento.

AVISO: No use el mango extendido para levantar la unidad del suelo de forma horizontal. No use el mango extendido como punto de sujeción para sujetar la unidad a un vehículo para su transporte. Estos usos aplicarán una tensión indebida a los puntos de sujeción del mango en la carcasa.

Instale la manguera de drenaje

Esta unidad bombea automáticamente el agua hacia afuera de forma uniforme. La bomba de condensado del Unit se conecta a una manguera de drenaje de plástico que se encuentra en el compartimento lateral de la unidad. Esta manguera está equipada con un accesorio que permite conectarla rápidamente con la manguera de drenaje de 40 pies (12 m). Desenrolle toda la manguera y coloque el extremo suelto en un fregadero, desagüe, cubeta, al aire libre o en cualquier lugar en que el agua pueda drenarse de forma segura. Si utiliza una cubeta u

otro recipiente para recolectar el agua, verifique periódicamente que no se desborde.

AVISO: Desenrolle y estire toda la manguera de drenaje. No deje ninguna parte de la manguera enrollada en la unidad y no coloque el extremo de la manguera a más de 20 pies (6 m) por encima de la parte inferior de la unidad. También revise que la manguera no esté torcida y que no haya obstrucciones que disminuyan el flujo del agua. Las obstrucciones pueden causar que el agua se regrese, lo cual puede dar como resultado algún desbordamiento.

Conecte el cable eléctrico

El deshumidificador Unit debe conectarse a una toma de corriente de 120 voltios con protección GFCI para un mínimo de 15 amperios. Saque el cable del compartimento de almacenamiento y desenróllelo. Siempre conecte firmemente el cable a la unidad primero, y luego conecte el otro extremo a una toma de corriente adecuada.

CÓMO USAR EL PANEL DE CONTROL


El Controlador i-Series ofrece controles integrales para deshumidificadores y datos precisos en directo acerca del ambiente que se está deshumidificando, además de las horas de funcionamiento, mensajes de autodiagnóstico, recordatorios de mantenimiento y el estado operativo.


Para obtener información detallada e instrucciones adicionales, visite la página del Controlador i-Series en Controller.LegendBrandsRestoration.com.


Visualizaciones de la pantalla principal


Unidad APAGADA
La unidad debe estar enchufada.

Barra superior de la pantalla:
Horas de funcionamiento, hora actual

Presione MENÚ  para acceder a los controles de ajustes y configuraciones

Presione PURGA  para vaciar el tanque de condensado

Presione ENCENDER/APAGAR  para encender la unidad



Unidad ENCENDIDA
Presione la tecla ENCENDER/APAGAR para encender la unidad.

Barra superior de la pantalla:
Horas de funcionamiento, hora actual

Pantalla de información:
Temperatura de entrada/salida, % de HR y granos de humedad por libra de aire seco (GPP)
Eliminación de los GPP actuales

Barra inferior del menú:

 GPP de entrada de referencia rápida.
1: <60 GPP; 2: 60–90 GPP; 3: > 90 GPP

Presione MENÚ  para acceder a los controles de ajustes y configuraciones

Presione PURGA  para vaciar el tanque de condensado

Presione ENCENDER/APAGAR  para apagar la unidad



Para obtener instrucciones detalladas sobre el panel de control, visite la página del producto del Controlador i-Series en Controller.LegendBrandsRestoration.com.

ERRORES Y ADVERTENCIAS

Si el sistema de control detecta un problema, mostrará un símbolo de "Alerta" en la esquina superior derecha de la pantalla. Presione ON / OFF para ver el mensaje y OK para borrar el mensaje. NOTA: En caso de error, la unidad no funcionará hasta que se resuelva el problema. Consulte las explicaciones y soluciones que se muestran a continuación. Si estas soluciones no solucionan el problema, comuníquese con su centro de servicio autorizado local para obtener más ayuda.

MENSAJE DEL PANEL DE CONTROL	EXPLICACIÓN Y SOLUCIÓN
ER4 Error Conexion de Termistor de Descongelar —or— Conexion de Termistor de Salida	El sensor de temperatura está abierto, no está o hay un cortocircuito. Verifique que los sensores de temperatura están instalados correctamente en el panel de control. Si el error continúa, comuníquese con el servicio técnico
ER5 Error Sensor de Entrada RH1 Temp/RH	El sensor de temperatura/humedad relativa de entrada está abierto, no está o hay un cortocircuito. Verifique que el sensor de temperatura/humedad relativa de entrada esté instalado correctamente en el panel de control y la cubierta de entrada. Si el error continúa, comuníquese con el servicio técnico.
ER6 Error Falla de Sensor de Energía	Falla del sensor de corriente. Si el error continúa, comuníquese con el servicio técnico.
ER9 Error Bomba Obstruida	Compruebe que no haya obstrucciones ¿La manguera está acodada debajo de la unidad o aplastada por una rueda? Verifique que no haya bloqueos en la bomba y repare de ser necesario.
W1 Bajo BATERÍA	Reemplace la batería de tipo botón (3V, CR2032) en el panel de control.
W2 BLE Error W3 Reinici Flash W4 WDT	Apague y encienda el deshumidificador. Si la advertencia persiste, comuníquese con el servicio.

AL FINAL DE TRABAJO

Para reducir la posibilidad de goteos al mover la unidad, siga estos pasos adicionales para asegurarse de que toda el agua sea retirada de la unidad.

AVISO: Para asegurar que toda el agua sea quitada del deshumidificador, la unidad habrá de completar el ciclo de descongelamiento incluso si se halla apagada.

AVISO: Para asegurarse de que el tanque de condensado se vacíe por completo mientras se hace el

purgado, asegúrese de que la unidad esté en posición vertical sobre una superficie horizontal.

- 1. No apague ni mueva la unidad hasta que regrese al modo normal de funcionamiento.**
- 2. Mueva suavemente la máquina para asegurarse de que cualquier resto de agua en las superficies interiores caiga en el área del colector.**
- 3. Pulse la tecla de PURGADO. Cuando se complete el ciclo de purgado, apague la unidad.**
- 4. Retire la manguera de drenaje externo, escúrrala con cuidado, enróllela y sujétela con una de las tiras al costado de la unidad.**

TRANSPORTE Y ALMACENAMIENTO

AVISO: Maneje la unidad con cuidado. No la deje caer, ni la aviente, ni la coloque en un lugar en que pueda caerse. Si maneja la unidad sin el debido cuidado, ésta puede dañarse y causar algún peligro o anular la garantía.

- No exponga el panel de control a la humedad, la nieve ni la lluvia.
- Guárdelo y téngalo de forma segura para evitar cualquier efecto perjudicial en las partes internas.
- Amarre durante el transporte para evitar que se deslice y lastime a los ocupantes del vehículo.

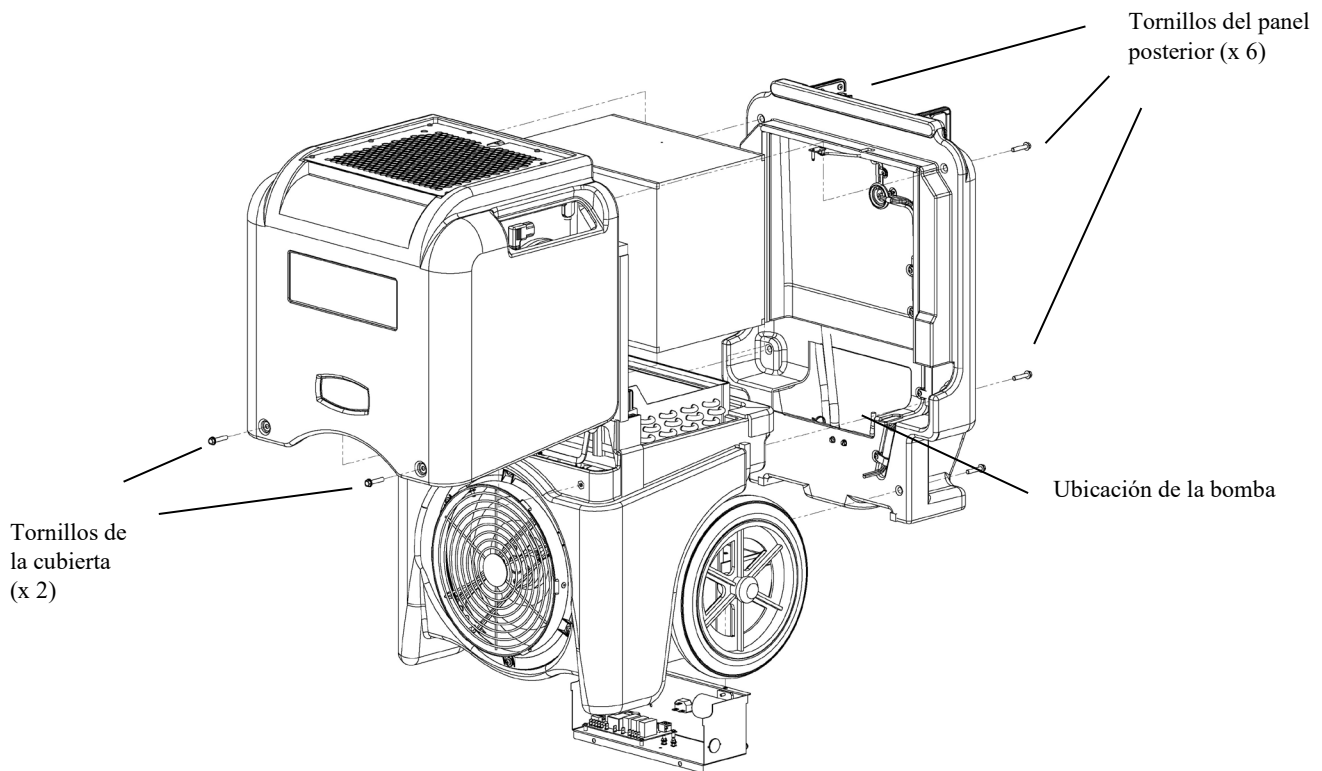
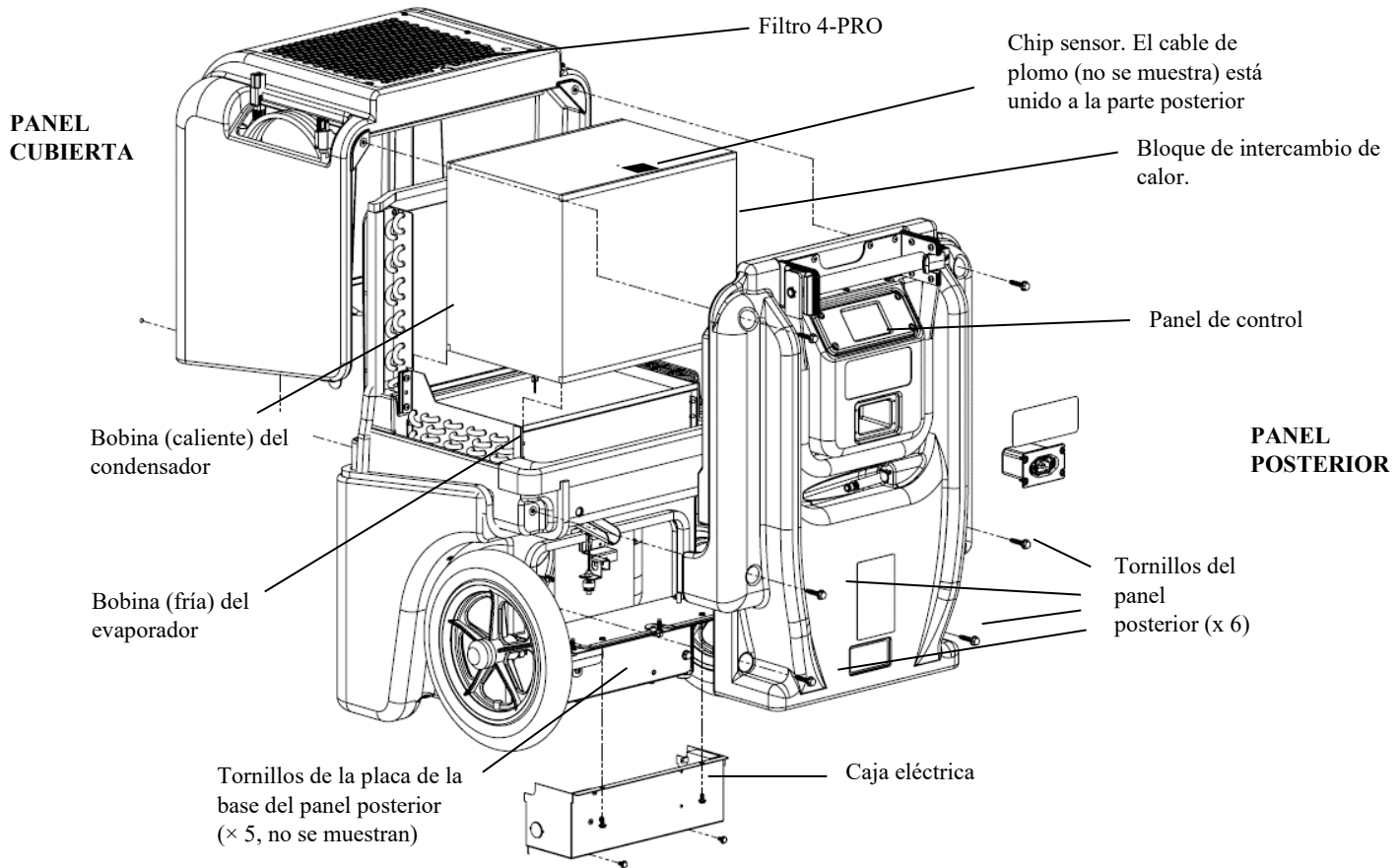
Consejo especial para el transporte en escaleras:

Antes de cargar la unidad en escaleras, siga estos pasos adicionales para asegurar que se elimine toda el agua:

1. Apague la unidad una vez que haya terminado el ciclo de descongelación. Agite suavemente la máquina en posición vertical sobre sus ruedas para asegurarse de que el agua que quede en las superficies interiores caiga al área del recolector.
2. Presione la tecla PURGA. Cuando el ciclo de purga haya finalizado, apague la unidad.
3. Retire la manguera de drenaje externa, escúrrala con cuidado y vuelva a colocarla en el compartimento lateral de la unidad.

4. IMPORTANTE: Quite el cable de alimentación, enróllelo cuidadosamente y colóquelo en el bolsillo de almacenamiento del cordón.

IMAGEN D: DIAGRAMA DE LAS PIEZAS



PROGRAMA DE MANTENIMIENTO

¡ADVERTENCIA! PELIGRO DE DESCARGA ELÉCTRICA. Desconecte el deshumidificador antes de darle mantenimiento.

ADVERTENCIA: Peligro de exposición al polvo y a varios contaminantes. Se recomienda utilizar una mascarilla y guantes. Si la unidad ha quedado expuesta a contaminantes peligrosos, límpiela a fondo y desinféctela antes de volver a utilizarla.

AVISO: La unidad está equipada con sensores electrónicos sensibles. Proteja los sensores y sus cables para que no se dañen, y no permita que los toque el agua ni ninguna solución de limpieza.

Las siguientes herramientas y suministros se necesitan para realizar los procedimientos de mantenimiento descritos en este manual:

- Desarmadores Philips y de punta plana
- Pinzas con puntas de aguja
- Llave de $\frac{9}{16}$ pulg.
- Llave de tuercas o de dado, de $\frac{3}{8}$ pulg.
- Llave de dado de $\frac{5}{16}$ pulg. (para retirar la bomba)
- Extensión para llave de dado de 6 pulg.
- Matraca
- Paños de limpieza
- Aspiradora HEPA con boquilla de cepillo suave y boquilla estrecha.

Recomendado

Taladro inalámbrico, cuchillo pequeño, alicates pequeños, solución de limpieza para bobinas, solución de limpieza para caja rotomoldeada

Antes de cada uso

Revise que el cable eléctrico no esté dañado. Si ve que el cable está quemado, cortado o con algún daño, reemplácelo.

Inspeccione el filtro: reemplácelo si observa que hay acumulación de polvo y suciedad.

AVISO: Reemplace los filtros usados con un filtro nuevo Legend Brands, 4-PRO número de pieza #100250 (F581) (paquete de 24). Otros tipos de filtros no proporcionan filtración o flujo de aire adecuados. Cada filtro se envuelve individualmente para conservar la eficiencia de la filtración. Quite la envoltura antes de instalar el filtro en el deshumidificador.

Una vez al mes

Revise las bobinas y el bloque de intercambio de calor. Limpie la unidad cuando vea que se ha acumulado el polvo. Con el uso normal, el polvo puede acumularse y limitar el flujo de aire, lo cual reduce el rendimiento y provoca que la unidad se sobrecaliente. Consulte “¿Cómo desarmar la unidad para limpiar las bobinas y el bloque de intercambio de calor”.

Para mantener una apariencia limpia, limpie las superficies interiores y exteriores con un paño húmedo.

Para limpiar profundamente y lograr un brillo duradero que proteja la unidad, utilice un tratamiento de limpieza similar al del interior de un auto.

Quando sea necesario

Limpie la válvula de retención y la bandeja de la bomba. Para ello, es necesario retirar la cubierta posterior.

Limpie las bobinas y el bloque de intercambio de calor. Revise la bobina (fría) horizontal del evaporador ya que haya retirado la cubierta posterior. Si hay exceso de polvo y residuos, aspire bien y/o límpiela con la solución limpiadora para bobinas.

RESOLUCIÓN DE PROBLEMAS

FALLA	CAUSA	SOLUCIÓN
Gotea agua al mover la unidad	La unidad se desenchufó antes de completar la purga.	Purgue la unidad antes de moverla. Vea "Al final del trabajo".
La unidad no funciona.	Unidad no encendida. La unidad no está enchufada.	Encienda la unidad. Enchufe la unidad; compruebe la conexión del cable de alimentación en el tomacorriente y en la base de la unidad.
La unidad funciona, pero la sala no está seca	No se asignó un tiempo suficiente para secar. Movimiento de aire deficiente en la sala. Entrada de aire excesivamente húmedo.	Verifique que "Humidistat" esté apagado. Asigne más tiempo al secado. Aumente el movimiento de aire con ventiladores. Cierre la sala para reducir el ingreso de aire.
La unidad recoge muy poca agua	El aire de la sala es seco. La temperatura de la sala es demasiado baja. El filtro está lleno. Las bobinas están obstruidas.	Verifique que "Humidistat" esté apagado. Confirme el nivel de humedad con un higrómetro. Aumente la temperatura de la sala. Examine el filtro. Reemplácelo de ser necesario. Examine las bobinas. Límpielas de ser necesario.
<p><i>Si el problema que experimenta no figura en esta lista, llame a su distribuidor local o comuníquese con nuestro Servicio de Atención al Cliente al 800-932-3030 para obtener asistencia.</i></p>		

ESPECIFICACIONES

Modelo	LGR 7000XLi (#108110)
Eliminación de agua según AHAM (80 °F [27 °C]/60% de humedad relativa)	130 pt 61,5 L por día
Eliminación de agua según grano bajo (80 °F [27 °C]/20% de humedad relativa)	17 pt 8 L por día
Cantidad máxima de aire procesado	325 cfm* salida canalizable al nivel del piso
Dimensiones (altura x profundidad x ancho)	33,5 x 20 x 20 in 85 x 51 x 51 cm
Peso	107 lb 49 kg
Potencia	115 V
Amperes	8,3 A
Freq.	60 Hz
Nivel de ruido promedio	62 dB
Filtro de aire	4-PRO #100250 (F581) (paquete de 24)
Manguera de drenaje	40 ft 12,2 m
Cable de alimentación	25 ft 7,6 m
Construcción	Carcasa rotomoldeada.
Seguridad	Certificación de ETL conforme a las normas CSA 22.2 n.º 92
<p>Las especificaciones están sujetas a cambios sin previo aviso. Algunos valores pueden ser aproximados. *La velocidad del ventilador varía automáticamente para optimizar el desempeño.</p>	

La información sobre la garantía está disponible en LegendBrandsRestoration.com.

No olvide visitar Warranty.LegendBrandsRestoration.com y registrar su compra. Su registro nos ayudará a brindarle información actualizada del producto según sea necesario.

Para una correcta eliminación, esta unidad debe llevarse a una empresa de reciclaje autorizada para procesar equipos de refrigeración.



ADVERTENCIA: Este producto puede exponerlo a sustancias químicas entre las que se incluyen plomo y ftalatos, los cuales son considerados en el estado de California como causantes de cáncer, defectos congénitos u otros daños durante la gestación. Para obtener más información, visite P65Warnings.ca.gov

Guide d'utilisation

Déshumidificateur portable LGR 7000XLi

Modèle 108110 (F412)

LEGEND BRANDS, INC.

15180 Josh Wilson Road, Burlington, WA 98233 – États-Unis

Téléphone : 800-932-3030 Télécopie : 360-757-7950 LegendBrandsRestoration.com

Le déshumidificateur LGR 7000XLi de Legend Brands® réduit l'humidité dans les environnements structuraux fermés en éliminant la vapeur d'eau de l'air. Le 7000XLi est robuste, durable et facilement transportable; cet appareil est idéal pour la réfection (dégâts causés par l'eau), le séchage des structures, la construction et autres utilisations exigeant une déshumidification temporaire à très haut débit.

Brevets : <http://www.LBpatents.com>

CONSERVER CES INSTRUCTIONS

WARNING



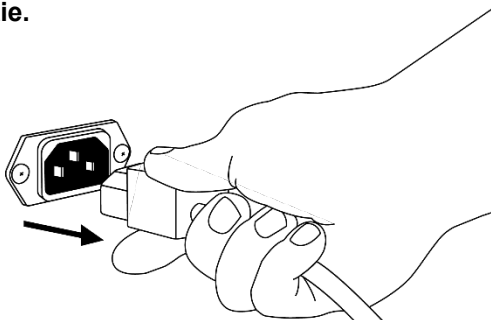
INSTRUCTIONS DE SÉCURITÉ IMPORTANTES

AVERTISSEMENT! Ne pas modifier le Unit d'aucune façon. Utiliser seulement des pièces de rechange autorisées par Legend Brands. Toute modification

COMMENT BIEN ENLEVER LE CORDON ÉLECTRIQUE

Saisir la prise IEC et tirer en la tenant droite

IMPORTANT : Les dommages occasionnés au récipient ou au déshumidificateur IEC en raison d'un retrait incorrect du cordon électrique ne sont pas couverts par la garantie. Le cordon électrique IEC étant une pièce d'usure, il n'est pas couvert par la garantie.



ou l'utilisation de pièces non approuvées peut constituer un danger et annulera votre garantie. Contactez votre distributeur autorisé Legend Brands pour obtenir de l'aide.

AVERTISSEMENT! Danger de décharge électrique, ventilateur tournant et surfaces très chaudes. Débrancher l'appareil avant d'ouvrir le couvercle pour le nettoyage ou l'entretien. L'appareil doit être mis à la terre.

- Vérifier l'état du cordon d'alimentation avant utilisation. Ne pas l'utiliser si le cordon est endommagé. Pour débrancher, toujours saisir la prise (et non le cordon).
- Enfoncer les trois fiches de la prise du cordon dans une prise de courant mise à la terre. Ne pas utiliser d'adaptateur. Ne jamais sectionner la troisième fiche. Ne pas utiliser de rallonge.
- L'appareil doit fonctionner sur un circuit de 115V/60 Hz protégé par un disjoncteur de fuite à la terre.
- Ne pas mettre l'appareil en marche lorsque de l'eau stagne en surface. Le moteur et le câblage doivent rester secs.

AVIS: Ne pas utiliser dans des environnements contenant des produits chimiques corrosifs, tels que le chlore.

INTRODUCTION

La capacité d'élimination de l'eau des déshumidificateurs réfrigérants à faible grain (LGR : Low Grain Refrigerant), tels le LGR 145, est supérieure, car ils sont équipés d'un circuit de pré-refroidissement. En effet, les appareils LGR continuent à éliminer l'humidité dans des milieux plus secs, alors que les réfrigérants classiques en sont incapables.

IDENTIFICATION DES PIÈCES

FIG. A : AVANT

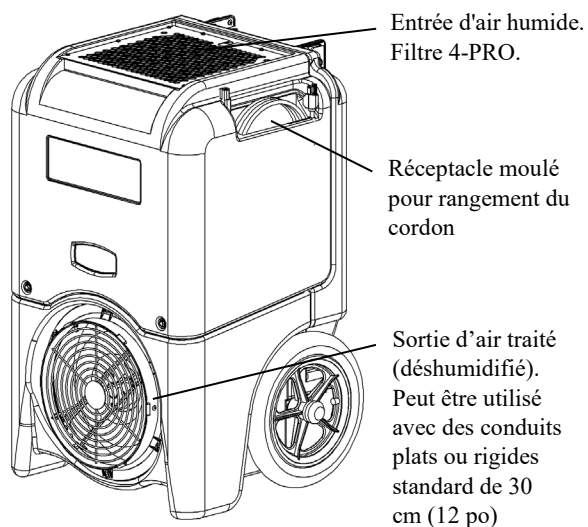


FIG. B : ARRIÈRE

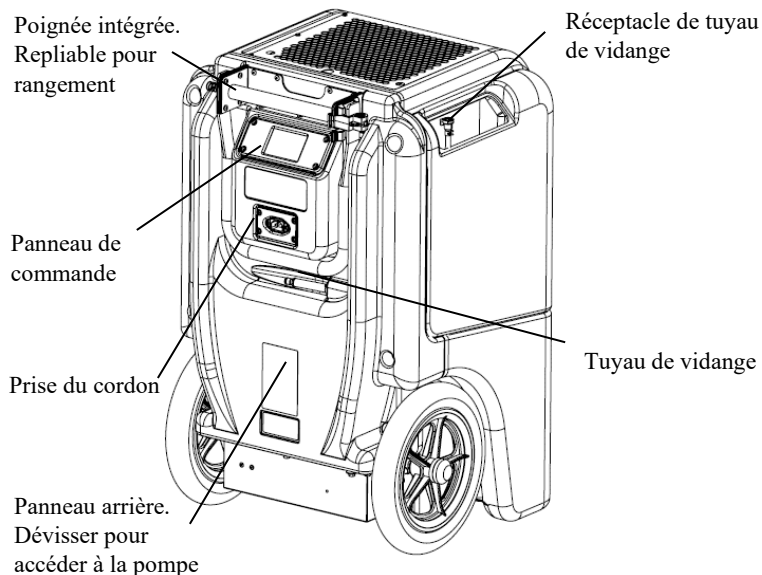
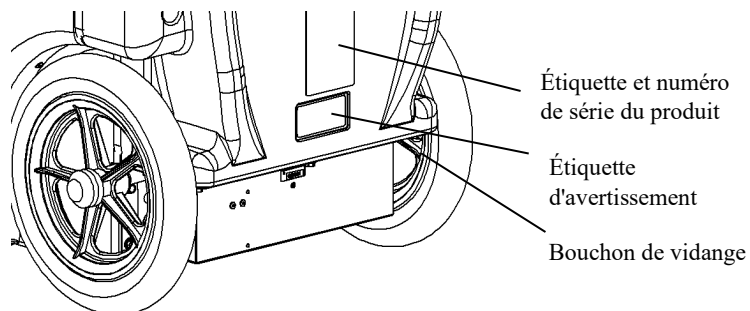


FIG. C : Étiquette d'avertissement, étiquette de série et bouchon de vidange



UTILISATION DE VOTRE DÉSHUMIDIFICATEUR

Positionnez l'appareil à la verticale

AVIS : Transporter ou entreposer l'appareil à l'horizontale (couché) est déconseillé. En effet, lorsque l'on couche l'appareil, l'huile en provenance du compresseur peut s'écouler dans les serpentins et nuire au fonctionnement du déshumidificateur; l'appareil risque en outre d'être endommagé. Si vous avez couché l'appareil, redressez-le et attendez au moins 30 minutes avant de le mettre en marche.

Placement du déshumidificateur

Pour une efficacité optimale, faites fonctionner vos déshumidificateurs dans une pièce close. Fermez les portes et les fenêtres qui s'ouvrent vers l'extérieur, afin d'optimiser l'élimination de l'eau. Placez votre déshumidificateur loin de toute obstruction, et loin de tout objet qui pourrait bloquer la circulation de l'air entrant ou sortant de l'appareil. Pour un complément d'information sur l'agencement d'un milieu de séchage optimal, appelez votre distributeur local Legend Brands.

Poignée d'extension

Relâchez la poignée en tournant la manette rouge vers l'extérieur, puis positionnez la poignée vers le haut. Tournez la manette rouge de nouveau pour la bloquer en positionnement de fonctionnement.

NOTICE : N'utilisez pas la poignée d'extension pour soulever l'appareil du sol, de manière horizontale. N'utilisez pas la poignée d'extension comme dispositif

de fixation pour attacher l'unité dans un véhicule pour le transport. Une telle utilisation exerce une pression excessive sur les points d'attache de la poignée dans le logement.

Placement du tuyau de vidange

La pompe à condensats du Unit est raccordée à un tuyau de vidange en plastique (fourni), logé dans le réceptacle latéral de l'appareil. Ce tuyau est doté d'un raccord à branchement rapide. Déroulez le tuyau, puis faite-le déboucher dans un évier, un avaloir de sol, un seau, ou à l'extérieur – là où l'eau peut s'écouler sans danger. Si vous utilisez un seau ou autre récipient pour recueillir l'eau, vérifiez-le souvent pour éviter tout débordement.

AVIS : Déroulez et redressez le tuyau de vidange sur toute sa longueur. Ne laissez aucune partie du tuyau enroulé sur l'appareil; l'extrémité du tuyau ne doit pas être à plus de 6 m (20 pi) au-dessus de la partie inférieure de l'appareil. Regardez également si le tuyau n'est pas plié et n'a aucune obstruction pouvant bloquer la circulation de l'eau. Le tuyau risquerait alors de refouler, causant une fuite.

Branchement du cordon d'alimentation

Le déshumidificateur Unit doit être branché sur une prise de 120 V, protégée par un disjoncteur de fuite à la terre, avec une intensité nominale de 15 ampères. Retirez le cordon de son réceptacle de rangement et déroulez-le. Commencez toujours par brancher le cordon fermement sur la prise de l'appareil, puis branchez l'autre extrémité sur une prise de courant appropriée.

COMMENT UTILISER LE PANNEAU DE CONTRÔLE


Le Contrôleur i-Series offre des contrôles complets pour le déshumidificateur et des données détaillées en temps réel sur l'environnement à sécher, ainsi que les heures de travail; des messages d'auto-diagnostic, des rappels d'entretien et le statut de fonctionnement.


Pour des informations détaillées et des instructions supplémentaires, veuillez visiter la page du Contrôleur i-Series sur Controller.LegendBrandsRestoration.com


Affichages écran d'accueil


Unité FERMÉE
L'unité doit être branchée.

Barre d'affichage supérieure:
Heures de travail, heure actuelle

Appuyez sur  MENU pour accéder aux réglages et aux contrôles de configuration

Appuyez sur  PURGER pour vidanger le réservoir

Appuyez sur  OUVERT/FERMÉ pour ouvrir l'unité.





Unité OUVERTE
Appuyez sur OUVERT/FERMÉ pour ouvrir l'unité.


Barre d'affichage supérieure:
Heures de travail, heure actuelle


Affichage de l'information:
Température entrée/sortie, % HR et GPP
Retrait actuel GPP

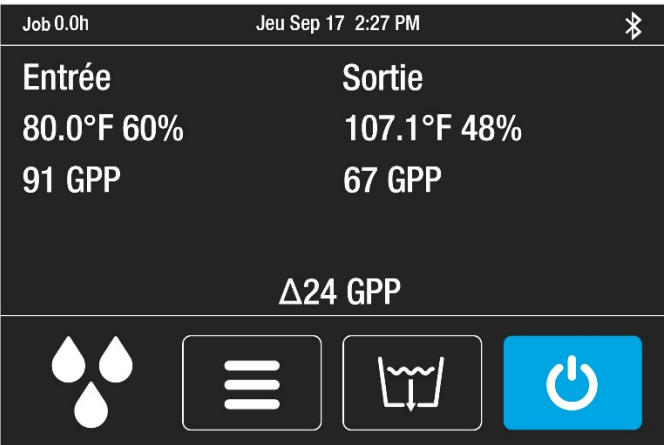
Barre de menu du bas:

 GPP d'entrée de référence rapide.
1: <60 GPP; 2: 60 à 90 GPP; 3:> 90 GPP

Appuyez sur  MENU pour accéder aux réglages et aux contrôles de configuration

Appuyez sur  PURGER pour vidanger le réservoir

Appuyez sur  OUVERT/FERMÉ pour fermer l'unité.



Pour les instructions détaillées sur le panneau de contrôle, veuillez visiter la page du produit Contrôleur i-Series sur le site Controller.LegendBrandsRestoration.com

ERREURS ET AVERTISSEMENTS

Si le système de contrôle détecte un problème, il affichera un symbole «Alerte» dans le coin supérieur droit de l'écran. Appuyez sur ON / OFF pour afficher le message et sur OK pour effacer le message. REMARQUE: En cas d'erreur, l'unité ne fonctionnera pas tant que le problème ne sera pas résolu. Reportez-vous aux explications et solutions ci-dessous. Si ces solutions ne résolvent pas le problème, contactez votre centre de service local agréé pour obtenir de l'aide.

CONTROL PANEL MESSAGE	EXPLANATION AND SOLUTION
ER4 erreur contacts de la thermistance de dégivrage —or— ER4 erreur contacts de la thermistance de sortie	Le capteur de température est ouvert, manquant ou court-circuité. Vérifiez que les capteurs de température sont installés correctement sur le panneau de commande. Si l'erreur persiste, contactez le service d'assistance.
ER5 erreur capteur RH1 temp/HR d'entrée	Le capteur temp/RH en entrée est ouvert, manquant ou court-circuité. Vérifiez que le capteur temp/RH en entrée est installé correctement sur le panneau de commande et l'enveloppe d'admission. Si l'erreur persiste, contactez le service d'assistance.
ER6 erreur défaillance du capteur de courant	Panne du capteur de courant. Si l'erreur persiste, contactez le service d'assistance.
ER9 erreur pompe bloquée	Vérifiez s'il y a des obstructions. Est-ce que le tuyau est tordu sous l'unité ou coincé sous une roue ? Vérifiez que la pompe n'est pas obstruée et corrigez si nécessaire.
W1 Basse BATTERIE	Remplacez la pile bouton (3 V, CR2032) sur le panneau de commande.
W2 Erreur BLE W3 Flash Reset W4 WDT Reset	Remettez le déshumidificateur sous tension. Si l'avertissement persiste, contactez le service.

À LA FIN DE LA TÂCHE

Pour réduire la possibilité d'égouttement lors du transport de l'unité, suivez ces étapes supplémentaires pour s'assurer que toute l'eau est évacuée de l'appareil.

REMARQUE : Pour s'assurer que toute l'eau est évacuée du déshumidificateur, l'appareil termine le cycle de dégivrage même si l'appareil est éteint. Si l'appareil est débranché durant le cycle de dégivrage, un excédent d'eau peut s'accumuler dans l'appareil et goutter lors de son déplacement.

REMARQUE : Pour s'assurer que le réservoir de condensation se vide complètement durant la purge, vérifiez que l'appareil est placé en station debout sur une surface horizontale.

1. Ne mettez pas l'unité à l'arrêt ou ne la déplacez pas jusqu'à ce qu'elle revienne en mode de fonctionnement normal.
2. Basculez légèrement la machine pour s'assurer que l'eau restant sur les surfaces intérieures s'écoule dans le puisard.
3. Appuyez sur la touche PURGE. Lorsque le cycle de purge est terminé, éteignez l'unité.
4. Retirez le tuyau de vidange externe, videz-le soigneusement, enroulez-le et maintenez-le en place à l'aide d'une des attaches prévues à cet effet sur le côté de l'unité.

TRANSPORT ET ENTREPOSAGE

IMPORTANT : Avant de déplacer, transporter ou ranger l'unité, purgez l'unité et rangez le tuyau et le

câble d'alimentation tel qu'il est décrit dans la section ci-dessus « À la fin de la tâche ».

NOTICE : Manipulez l'unité avec précaution. Ne faites pas tomber l'unité ou ne la placez pas dans un endroit d'où elle pourrait tomber. Un traitement sans précautions peut endommager le déshumidificateur et causer un risque de danger ou annuler la garantie.

- N'exposez pas le panneau de commande à l'humidité, la neige ou la pluie.
- Entrez et transportez l'unité de manière sûre pour éviter des dommages des pièces internes.
- Sécurisez l'unité durant le transport pour éviter qu'elle ne glisse et cause des blessures aux occupants du véhicule.
- Ne transportez pas ou n'entrez pas l'unité sur sa face avant, sur les côtés ou sur le dos. Ceci permet d'éviter que l'humidité restante ne s'échappe de l'unité ou s'égoutte dans des parties en dehors du puisard.

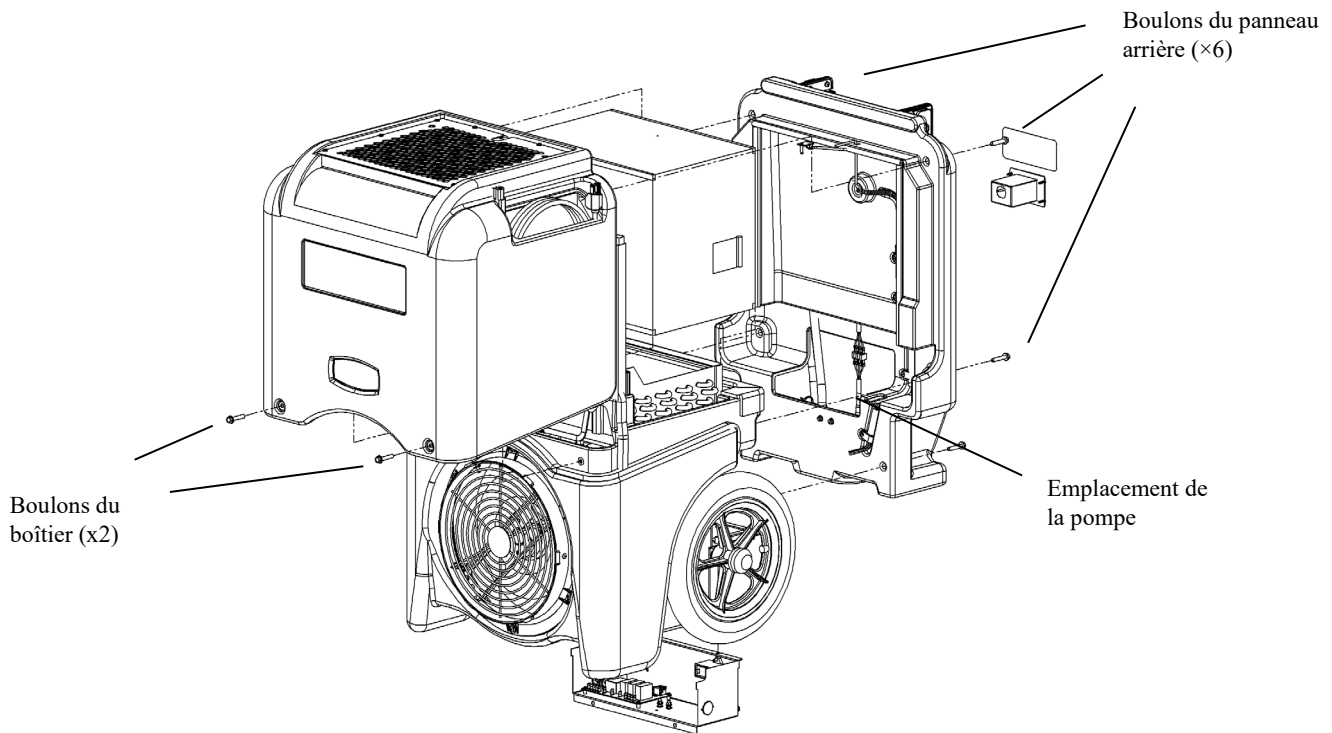
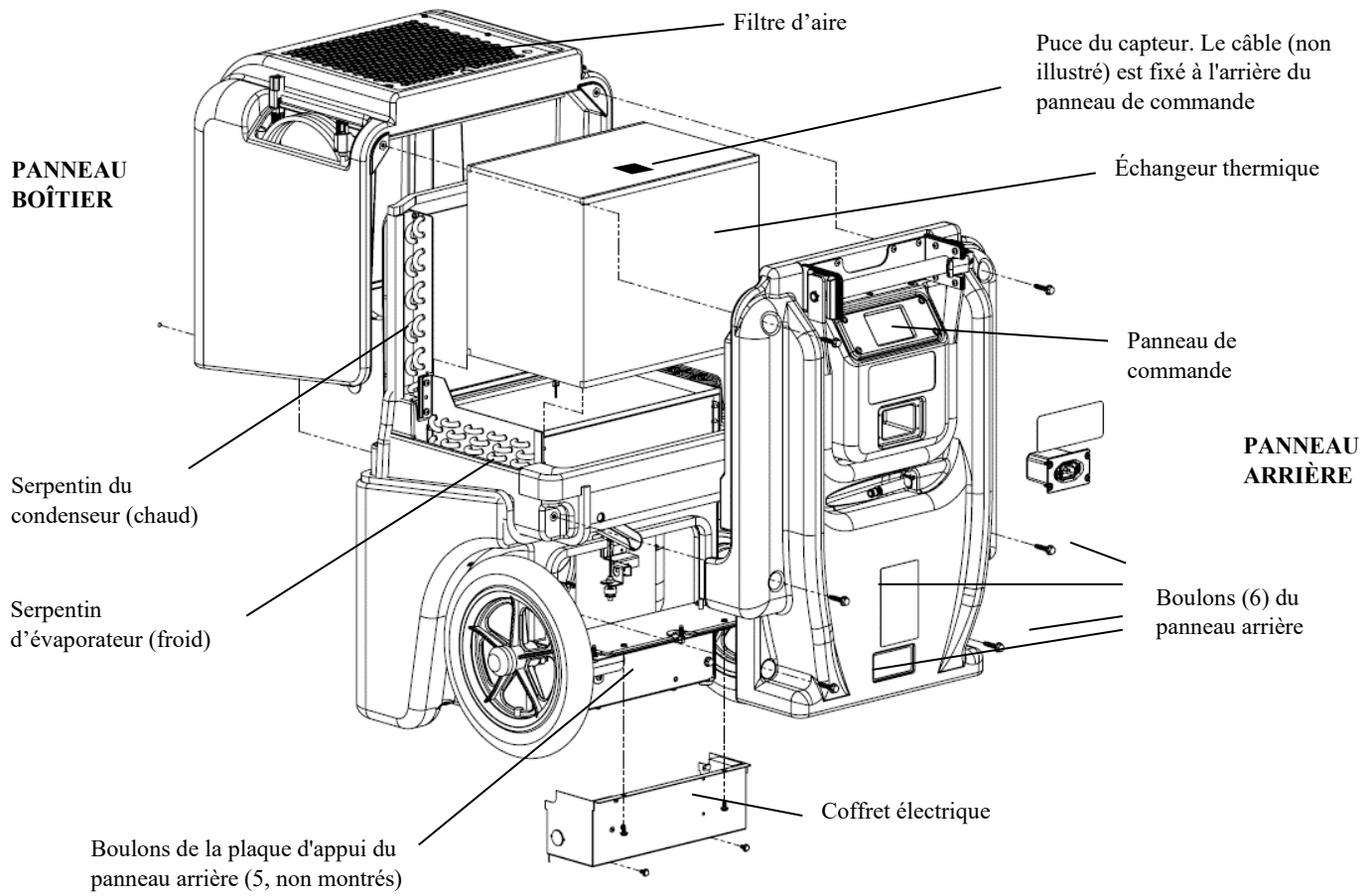
Astuce de déplacement sur un escalier :

Avant de déplacer l'appareil sur un escalier, suivez ces étapes supplémentaires pour bien évacuer toute l'eau :

1. Éteignez l'appareil à la fin d'un cycle de dégivrage. Remuez doucement l'appareil droit sur ses roues pour faire tomber dans le bac de vidange l'eau présente sur les parois.
2. Appuyez sur la touche PURGE. Éteignez l'appareil au terme du cycle de purge.
3. Enlevez le tuyau de vidange externe, videz-le avec soin, puis remettez-le dans le réceptacle latéral de l'appareil.

4. IMPORTANT : Enlevez le cordon d'alimentation, enrroulez-le de manière ordonnée et placez-le dans la poche de rangement du cordon.

FIG. D : DIAGRAMME DES PIÈCES



PROGRAMME D'ENTRETIEN

AVERTISSEMENT! RISQUE DE CHOC ÉLECTRIQUE.

Débranchez le déshumidificateur avant d'en faire l'entretien.

AVERTISSEMENT : Risque d'exposition à la poussière et aux polluants. Il est conseillé de porter un masque respiratoire et des gants. Si l'appareil a été exposé à des polluants potentiellement dangereux, nettoyez à fond et désinfectez avant de les porter à nouveau.

AVIS : L'appareil abrite des capteurs électroniques de précision. Veillez à protéger contre tout dommage ces capteurs et leurs fils; ne les exposez pas à l'eau ni à une solution de nettoyage.

Les outils et les articles suivants sont obligatoires pour faire l'entretien traité dans ce guide :

- Tournevis Philips et tournevis à lame plate
- Pince à becs pointus
- Clé 14 mm (9/16 po)
- Chasse-écrou ou douille 95 mm (3/8 po)
- Douille 8 mm (5/16 po) (pour déposer la pompe)
- Rallonge de douille 15,2 cm (6 po)
- Clé à rochet
- Chiffons
- Aspirateur à filtre HEPA avec suceur à brosse douce et suceur plat

Recommandé

Perceuse sans fil, canif, pince avec petites mâchoires, solution de nettoyage pour serpentins, solution de nettoyage pour boîtiers rotomoulés

Avant chaque utilisation

Regardez si le cordon de secteur est intact. Aucune altération, coupure, etc. Remplacez le cordon s'il est endommagé.

Inspecter le filtre. Remplacez le câble si une accumulation de poussière et de débris est visible. NOTICE : Remplacez les filtres usés seulement avec un nouveau filtre Legend Brands 4-PRO n° #100250 (F581) (boîte de 24). Les autres types de filtre n'offrent pas une filtration ou un flux d'air adéquat. Chaque filtre est emballé individuellement pour préserver l'efficacité de la filtration. Retirez l'emballage avant d'installer le filtre dans le déshumidificateur.

Au besoin

Nettoyer le clapet de non-retour et la cuvette de pompe. Vous devrez alors enlever le panneau arrière. « Vérification et nettoyage de la pompe », vous donne la marche à suivre.

Nettoyez les serpentins et l'échangeur thermique. Une fois le panneau arrière enlevé, examinez le serpentin d'évaporateur horizontal (froid). En cas d'accumulation excessive de poussière et de débris, essuyez ou nettoyez à l'aspirateur le serpentin. Cf. « Démontage de l'appareil pour nettoyer les serpentins et l'échangeur thermique ».

DÉPANNAGE

ERREUR	CAUSE	SOLUTION
De l'eau s'égoutte lorsque l'unité est déplacée.	L'unité a été débranchée avant que la purge ne soit terminée.	Purgez l'unité avant de la déplacer. Voir « À la fin de la tâche ».
L'unité ne fonctionne pas.	L'unité n'est pas sous tension. Il n'y a pas d'alimentation électrique dans la machine.	Mettez l'unité sous tension. Branchez l'unité; vérifiez le branchement du câble d'alimentation sur la prise murale et à la base de l'unité.
L'unité fonctionne, mais la salle n'est pas sèche	Temps de séchage insuffisant. Circulation de l'air insuffisante dans la salle. Infiltration d'air humide excessive.	Vérifiez que l'hygrostat (« Humidistat ») est sur OFF. Laissez sécher plus longtemps. Augmentez la circulation de l'air avec des ventilateurs de refroidissement. Fermez la zone pour réduire l'infiltration.
L'unité ne collecte pas assez d'eau.	L'air de la pièce est sec. La température de la pièce est trop basse. Le filtre est plein. Les serpentins sont bouchés.	Vérifiez que l'hygrostat (« Humidistat ») est sur OFF. Vérifiez le niveau d'humidité avec l'hygromètre. Augmentez la température de la pièce. Vérifiez le filtre. Remplacez si nécessaire. Vérifiez les serpentins. Nettoyez si nécessaire.
<p><i>Si le problème rencontré n'est pas décrit ici, appelez votre distributeur local ou contactez notre Service d'assistance au 800-932-3030 pour une assistance.</i></p>		

FICHE TECHNIQUE

Modèle	LGR 7000XLi (#108110)
AHAM de retrait d'eau (26,6 °C [80 °F]/60 % HR)	130 chopines 61,5 litres / jour
Retrait d'eau Low Grain (26,6 °C [80 °F]/20 % HR)	17 chopines 8 litres / jour
Déplacement de l'air (max)	325 pi ³ /min*. Orifice à conduit au niveau du sol.
Dimensions (H x P x L)	33,5 x 20 x 20 po 85 x 51 x 51 cm
Poids	107 lb 49 kg
Dimensions (H x P x L)	33,5 x 20 x 20 po 85 x 51 x 51 cm
Alimentation	8,3 A,
Volts	115 V
Freq.	60 Hz
Niveau sonore (moyen)	62 dB
Filtre à air	4-PRO #100250 (F581) (boîte de 24)
Tuyau de vidange	40 pi 12,2 m
Cordon d'alimentation	25 pi 7,6 m
Construction	Coquille rotomoulée.
Sécurité	Homologué ETL pour CSA 22.2 no. 92
<p>Fiche technique sous réserve de modifications sans préavis. Certaines valeurs peuvent être approximatives. *Vitesse variable automatique du ventilateur pour favoriser une efficacité optimale.</p>	

Les données de garantie sont disponibles sur le site LegendBrandsRestoration.com.

Pensez à visiter Warranty.LegendBrandsRestoration.com et à enregistrer votre achat. Votre enregistrement nous aidera à vous communiquer les dernières nouvelles importantes sur le produit.

Pour une élimination adéquate, cet appareil doit être remis à un centre de recyclage agréé pour traiter l'équipement de réfrigération.



AVERTISSEMENT : Ce produit peut vous exposer à des produits chimiques, dont le plomb et les phtalates, reconnus par l'État de la Californie comme étant des substances pouvant causer le cancer, des anomalies congénitales et d'autres troubles de l'appareil reproducteur. Pour de plus amples renseignements, visitez P65Warnings.ca.gov